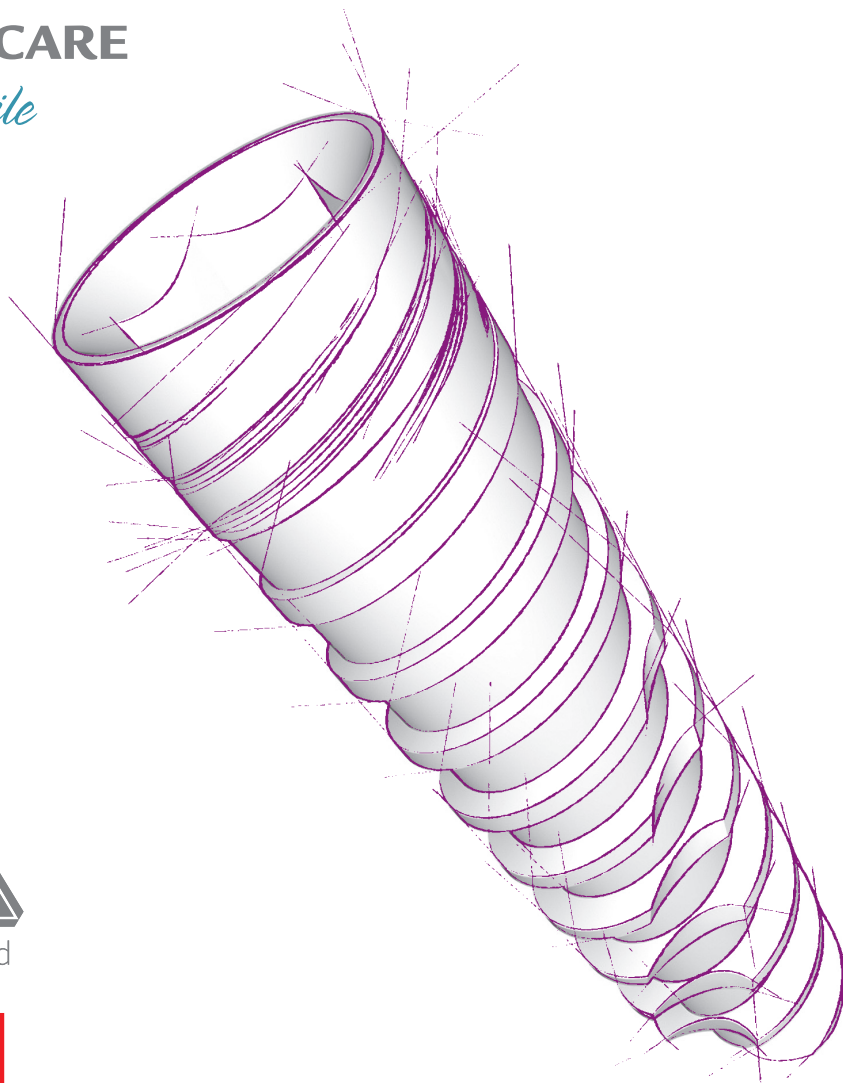




JDENTAL CARE

just smile



Approved



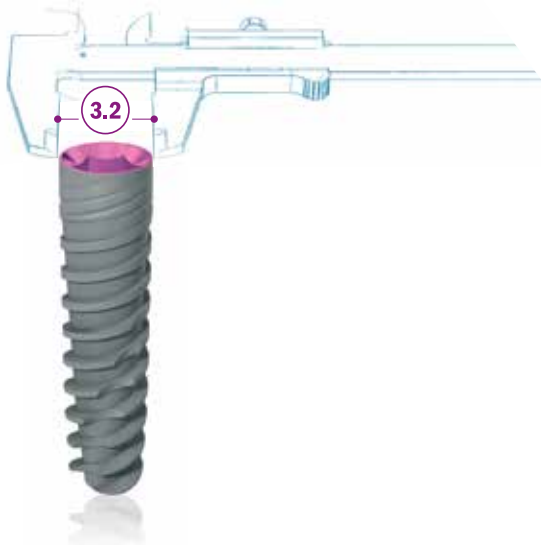
MADE IN ITALY

Dental Implant

JD EVOLUTION[®]S

JD EVOLUTION® S

SAFE AS ALWAYS, THINNER THAN EVER

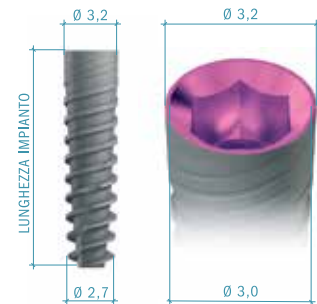
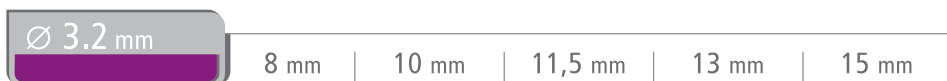


ADVANTAGES

- High primary stability, even in type 4 bone.
- Self drilling and self cutting.
- Redirecting capability for optimal placement.
- Immediate function capability.
- Built-in Platform switching.
- Solves tight spacing problems.
- Designed specifically for narrow spaces in the esthetic zone.

IMPLANT MEASURES AND LENGTHS

The JDEvolution®S dental implant is available in the lengths shown in the following chart:



DRILLING SEQUENCE

It is recommended to adhere to the indications of the following drilling sequence to ensure optimal primary stability of the implant.

IMPLANT DIAMETER	SOFT BONE TYPE IV	MEDIUM BONE TYPE II-III	DENSE BONE TYPE I
Ø 3.2	1,5 (2)	2 2,4	2 2,4 (2,8)

Note: All dimensions are expressed in millimeters.

PRODUCT CATALOGUE

Implants:

Ø 3,2

EV32 080	JDEvolution® S Ø 3.2 L 8
EV32100	JDEvolution® S Ø 3.2 L 10
EV32115	JDEvolution® S Ø 3.2 L 11,5
EV32130	JDEvolution® S Ø 3.2 L 13
EV32150	JDEvolution® S Ø 3.2 L 15



Cover screw:

ESCS	Cover screw JDEvolution® S
------	----------------------------



Healing Abutment:

ESHA323	Healing Abutment Ø 3.2 H 3.0 JDEvolution® S
ESHA325	Healing Abutment Ø 3.2 H 5.0 JDEvolution® S
ESHA327	Healing Abutment Ø 3.2 H 7.0 JDEvolution® S
ESHA403	Healing Abutment Ø 4.0 H 3.0 JDEvolution® S
ESHA405	Healing Abutment Ø 4.0 H 5.0 JDEvolution® S
ESHA407	Healing Abutment Ø 4.0 H 7.0 JDEvolution® S



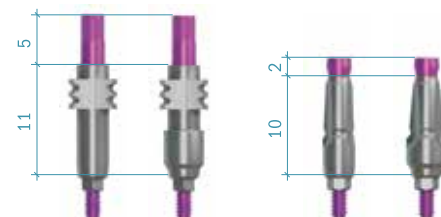
Impression coping:

OPEN TRAY

ESICOT32C	Impression coping open tray Ø 3.2 JDEvolution® S
ESICOT40C	Impression coping open tray Ø 4.0 JDEvolution® S

CLOSED TRAY

ESICCT32C	Impression coping closed tray Ø 3.2 JDEvolution® S
ESICCT40C	Impression coping closed tray Ø 4.0 JDEvolution® S



Temporary Abutment:

ESTAEC	Temporary Abutment engaging JDEvolution® S
ESTANEC	Temporary Abutment non engaging JDEvolution® S



Immediate Temporary Abutment:

ESIT15C	Immediate Temporary Abutment h1.5 JDEvolution® S
EVITC	Healing cap



GP Abutment:

ESGPAE32C	GP Abutment Ø 3.2 JDEvolution® S
ESGPAE40C	GP Abutment Ø 4.0 JDEvolution® S
ES15GPAE40C	GP Abutment 15° Ø 4.0 JDEvolution® S



Anatomic Abutment:

ESAA15C	Anatomic Abutment Ø 4.0 H 1.5 JDEvolution® S
ESAA30C	Anatomic Abutment Ø 4.0 H 3.0 JDEvolution® S



Wax up Abutment:

ESWAEC	Wax-up Abutment engaging JDEvolution® S
ESWANEC	Wax-up Abutment non engaging JDEvolution® S



Prosthetic screw:

ESS	Abutment Screw JDEvolution®S
ESSA	Abutment Screw Angulated JDEvolution®S



Conical Abutment:

ESCA15C	Straight Conical Abutment H 1.5 JDEvolution®S
ESCA1725C	17° Angulated Conical Abutment H2.5 JDEvolution®S
ESCA3025C	30° Angulated Conical Abutment H2.5 JDEvolution®S
ESCASA	Screw for angulated Conical Abutment JDEvolution®S



TiBase, JDScanBody and Implant Replica CAD CAM:

ESSBCEC	JDScanBody for JDEvolution®S
ESTIBC	TiBase engaging JDEvolution®S
EVSCBOW	ScanBody for TiBase
ESANC	Implant replica CAD CAM for JDEvolution®S
ESPMNC	JD Pre-milled blanks and abutment screw JDEvolution®S



Gold Abutment:

ESGAEC	Gold Abutment engaging JDEvolution® S
--------	---------------------------------------



Ball Abutment:

ESBA15	Ball Abutment H 1.5 JDEvolution® S
ESBA30	Ball Abutment H 3.0 JDEvolution® S
ESBA50	Ball Abutment H 5.0 JDEvolution® S
EVBAA	Ball Abutment replica JDEvolution® S
EVBAHC	Cap attachment housing and elastic retentive cap Ball Abutment
EVBAN	Elastic retentive cap Ball Abutment



Emi Abutment:

ESEMI15	Emi Abutment H 1.5 JDEvolution® S
ESEMI30	Emi Abutment H 1.5 JDEvolution® S
ESEMI50	Emi Abutment H 1.5 JDEvolution® S
EVEMIA	Emi Abutment replica JDEvolution® S
EVEMISCK	Smart cap attachment housing Emi Abutment
EVEMIHC	Cap attachment housing and elastic retentive cap Emi Abutment
EVEMIN	Elastic retentive cap Emi Abutment



Implant replica:

ESAN	Implant replica JDEvolution® S
------	--------------------------------



Implant and Prosthetic Drivers

ESID	Implant Driver JDEvolution® S
ESIDL	Implant Driver Long JDEvolution® S
EVSDPF20	Screwdriver for torque wrench L20
EVSDPF25	Screwdriver for torque wrench L25
EVSDCAF	Screwdriver torque wrench Conical Abutment
EVSDP20	Screwdriver machine prosthetic L20
EVSDP25	Screwdriver machine prosthetic L25
EVSDP30	Screwdriver machine prosthetic L30
EVSDCA	Screwdriver machine Conical Abutment
EVSDPF25A	Screwdriver screw angulated for torque wrench L25
EVSDPF30A	Screwdriver screw angulated for torque wrench L30





JDENTALCARE

www.jdentalcare.com